

# TECHNICAL DATA SHEET

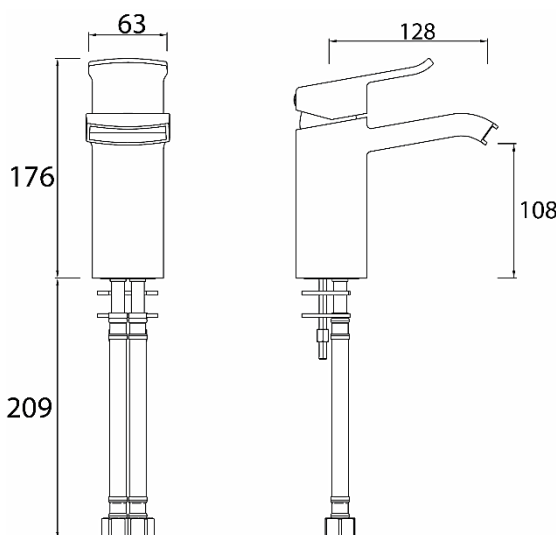
# BRISTAN

## DESCENT 1 Hole Bath Filler



### Product Specification

**Product Code:** DSC 1HBF C  
**Finish:** Chrome plated  
**Product Type:** Contemporary  
**Construction:** Bodies are of all brass construction and is designed to conform to BS EN 200  
**Cartridge Type:** 40mm Cartridge  
**Supply:** Suitable for high pressure plumbing systems  
**Inlet:** M12 15mm Compression Flexible Tails  
**Working Pressures:** Min 1.0 Bar Max 5.0 Bar



### Additional Information

- Chrome plated to BS EN 248.
- Supplied with metal handle.

**Technical Advice:** For further information please call 0844 7016273 or email [customer@bristan.com](mailto:customer@bristan.com).

**Guarantee:** 5 years covering manufacturing faults.

### Flow Rates (litres per minute)

System Pressure	1.0 bar	2.0 bar	3.0 bar	4.0 bar	5.0 bar
DSC 1HBF C (mixed)	18.9	27.5	33.4	38.6	44.2